

Checking

Check the operation in the relevant operation mode according to the chart below. The following are representative images.

Entry	Power OFF	Warm-up (Approx. 10 sec.)	Outside of detection area	Entry into Microwave area (pre-notification)	Entry into Microwave area	Entry into 3rd/2nd row	Entry into 1st row
(Image)							
Operation indicator	None	Green glimmering	Green	Orange blinking	Orange	Red	Red blinking

	Microwave area (pre-notification) (Motion detection)
	Microwave area (Motion detection)
	AIR area (Motion/Presence detection)

Other indicators

Status	Operation indicator color
Stand-by (Installation mode)	Yellow
Signal saturation	Slow Green blinking
Device error	Fast Green blinking
Connecting to the app	Slow Green & Blue blinking

If the sensor is not functioning well, see the **Troubleshooting** section in the web manual.



Web manual

Inform the building owner/operator of the following items

WARNING 1. Do not wash the sensor with water.
2. Do not disassemble, rebuild, or repair the sensor yourself as it may result in electric shock.

CAUTION 1. Do not paint the detection window.

NOTE 1. Always keep the detection window clean. If dirty, wipe it with a damp cloth. Do not use any cleaner/solvent.
2. When the operation indicator blinks Green, contact your installer or service engineer.
3. Always contact your installer or service engineer when changing the settings.
4. When turning the power ON, always walk-test the detection area to ensure the proper operation.
5. Do not place any objects that move or emit light in the detection area. (e.g. plants, illuminations, etc.)

FCC and ISED Statement

This device complies with part 15 of FCC Rules and Innovation, Science and Economic Development Canada's licence-exempt RSS(s). Operation is subject to the following two conditions: (1) this device may not cause harmful interference, and (2) this device must accept any interference received, including interference that may cause undesired operation.

Le présent appareil est conforme à la partie 15 des règles de la FCC et aux normes des CNR d'Innovation, Sciences et Développement économique Canada applicables aux appareils radio exempts de licence. L'exploitation est autorisée aux deux conditions suivantes: (1) l'appareil ne doit pas produire de brouillage, et (2) l'appareil doit accepter tout brouillage subi, même si le brouillage est susceptible d'en compromettre le fonctionnement.

Note: This equipment has been tested and found to comply with the limits for a Class B digital device, pursuant to part 15 of the FCC Rules. These limits are designed to provide reasonable protection against harmful interference in a residential installation. This equipment generates, uses and can radiate radio frequency energy and, if not installed and used in accordance with the instructions, may cause harmful interference to radio communications. However, there is no guarantee that interference will not occur in a particular installation. If this equipment does cause harmful interference to radio or television reception, which can be determined by turning the equipment off and on, the user is encouraged to try to correct the interference by one or more of the following measures:

- Reorient or relocate the receiving antenna.
- Increase the separation between the equipment and receiver.
- Connect the equipment into an outlet on a circuit different from that to which the receiver is connected.
- Consult the dealer or an experienced radio/TV technician for help.

FCC CAUTION

Changes or modifications not expressly approved by the party responsible for compliance could void the user's authority to operate the equipment.

FCC NOTICE

This transmitter must not be co-located or operated in conjunction with any other antenna or transmitter.

FCC/ISED Radiation Exposure Statement

This equipment complies with FCC/ISED radiation exposure limits set forth for an uncontrolled environment and meets the FCC radio frequency (RF) Exposure Guidelines and RSS-102 of the ISED radio frequency (RF) Exposure rules as this equipment has very low levels of RF energy.

Cet équipement est conforme aux limites d'exposition aux rayonnements énoncées pour un environnement non contrôlé et respecte les règles les radioélectriques (RF) de la FCC lignes directrices d'exposition et d'exposition aux fréquences radioélectriques (RF) CNR-102 de l'ISDE puisque cet appareil a une niveau tres bas d'énergie RF.

* Google Play and the Google Play logo are trademarks of Google LLC.

* App Store is a service mark of Apple Inc.

* The Bluetooth® word mark and logos are registered trademarks owned by Bluetooth SIG, Inc. and any use of such marks by OPTEX CO., LTD. is under license.

Manufacturer

OPTEX CO., LTD.

5-8-12 Ogoto Otsu 520-0101, Japan
TEL.: +81(0)77 579 8700
FAX.: +81(0)77 579 7030
URL www.optex.net

North and South America Subsidiary

OPTEX INCORPORATED

18730 S. Wilmington Avenue, Suite 100
Rancho Dominguez CA 90220 U.S.A
TEL.: +1-800-877-6656
FAX.: +1(310)898-1098
URL www.ot-inc.com

East coast office

8510 McAlpines Park Drive, Suite 108
Charlotte, NC 28211 U.S.A.
TEL.: +1-800-877-6656
FAX.: +1(704)365-0818
URL www.ot-inc.com

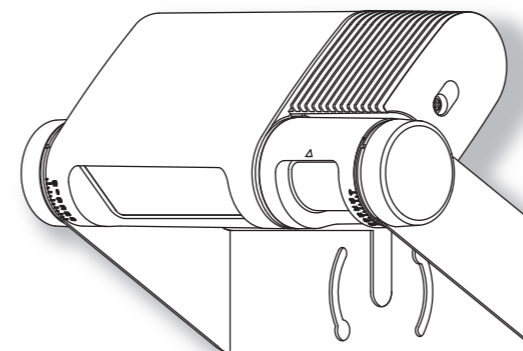


ENGLISH

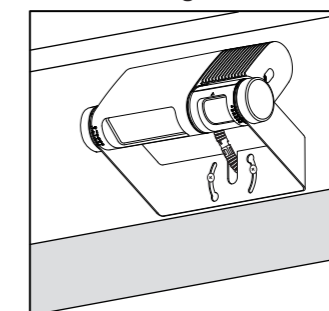


Web manual

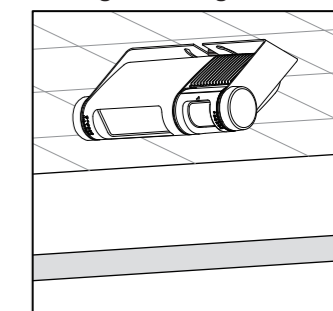
OAM-EXPLORER US



Wall mounting



Ceiling mounting



5926940 MAR 2019

Manufacturer's statement

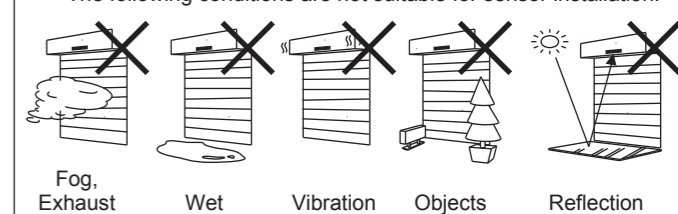
1. This product is a non-contact switch intended for mounting on a wall/ceiling for use on an industrial door. Do not use for any other applications.
2. When setting the sensor detection area, ensure there is no traffic around the installation site.
3. Before turning the power ON, check the wiring to prevent damage or malfunction of any equipment connected to the product.
4. Only use the product as specified in the operation manual provided.
5. Be sure to install and adjust the sensor in accordance with the local laws and standards of the country in which the product is being installed.
6. Before leaving the installation site make sure that the product is operating properly and instruct the building owner/operator on the proper operation of the door and the product.
7. The product settings can only be changed by an installer or service engineer. When changed, the amended settings and date will be registered in the maintenance logbook that accompanies the door.

WARNING Failure to follow the instructions that accompany this indication and improper handling may result in serious injury or death.

CAUTION Failure to follow the instructions that accompany this indication and improper handling may result in injury and/or damage to property.

NOTE Pay special attention to sections with this symbol.

The following conditions are not suitable for sensor installation.



Specifications

Model	: OAM-EXPLORER	Operating temperature	: -31 to 131 °F (-35 to +55°C)
Color	: Black	Operating humidity	: < 80%
Mounting height	: 6'7" to 19'8" (2.0m to 6.0m) (*1)	Communication method	: Bluetooth LE (Ver.4.0)
Transmitter frequency	: 24.2GHz	Activation output	: Form A relay 50V 0.3A Max. (Resistance load)
Transmitter radiated power	: < 12.7dBm	Supplemental safety output	: Form B relay 50V 0.3A Max. (Resistance load)
Detection area	: See Detection area	AUX output (*3)	: Form A relay 50V 0.3A Max. (Resistance load)
Detection method	: Microwave Doppler effect	Protection degree	: IP65 / NEMA4
Depth angle adjustment	: Microwave area 0 to +50°	Weight	: 21.2oz (600g)
Power supply	: 12 to 24VAC ±10% (50/60Hz)	Accessories	: 1 Operation manual
Power consumption	: < 3.5W (< 5.0VA at AC)		
Operation indicator	: See Checking		
Output hold time	: Approx. 0.5 sec. (Selectable via app)		
Response time	: < 0.3 sec. (Selectable via app)		

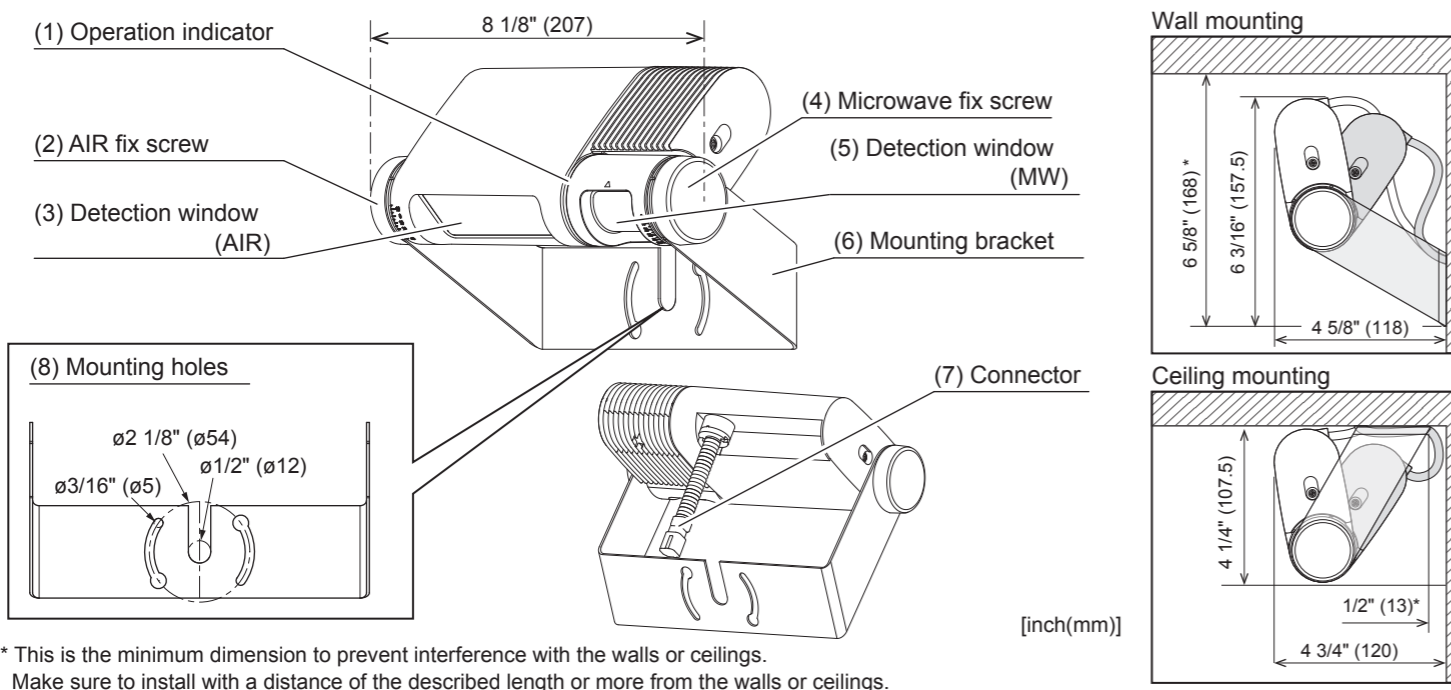
NOTE The specifications given herein are subject to change without prior notice due to improvements.

* 1: A person can be detected at an installation height up to 17'1" (5.2m).

* 2: Active infrared reflection has a presence detection function.

* 3: The sensor can send an output to other devices such as a flashing light and alert sound.

Dimensions and part names



* This is the minimum dimension to prevent interference with the walls or ceilings. Make sure to install with a distance of the described length or more from the walls or ceilings.

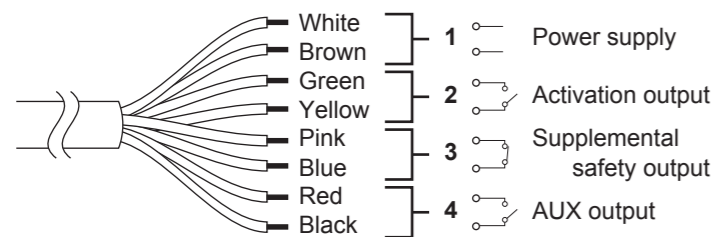
Installation

1. Mounting

1. Affix the mounting template at the desired mounting position.
2. Drill two mounting holes measuring $\phi 1/8''$ ($\phi 3.4\text{mm}$) following the mounting template.
3. To pass the cable through the wall/ceiling, drill a $\phi 3/8''$ ($\phi 10\text{mm}$) wiring hole as necessary.
4. Remove the mounting template and secure the sensor to the mounting surface with the two mounting screws.

2. Wiring

Wire the cable to the door controller as shown below.



⚠ WARNING Danger of electric shock

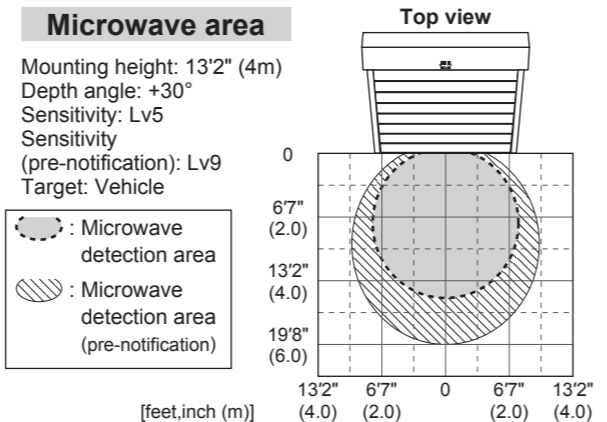
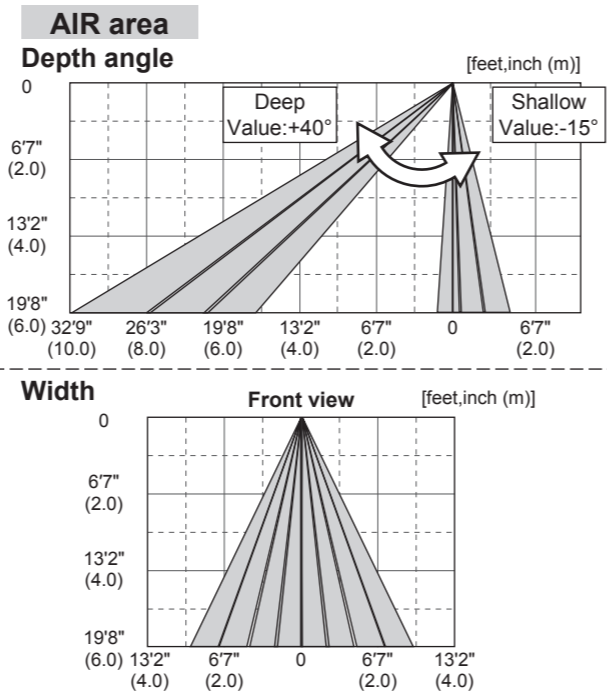
Before starting the procedure, make sure that the power is turned OFF. When passing the cable through the hole, do not tear the shield as this may result in electric shock or damage to the sensor.

3. Turn ON the power

1. Plug in the connector.
2. Supply power to the sensor. Adjust the detection area and set the settings. (See **Adjustments**)

NOTE Make sure to connect the cable correctly to the door controller before turning the power ON. When turning the power ON or after adjusting the settings, avoid entering the detection area for longer than 10 seconds to enable the presence detection.

Detection area [Reference]



For more detailed descriptions, see the web manual.

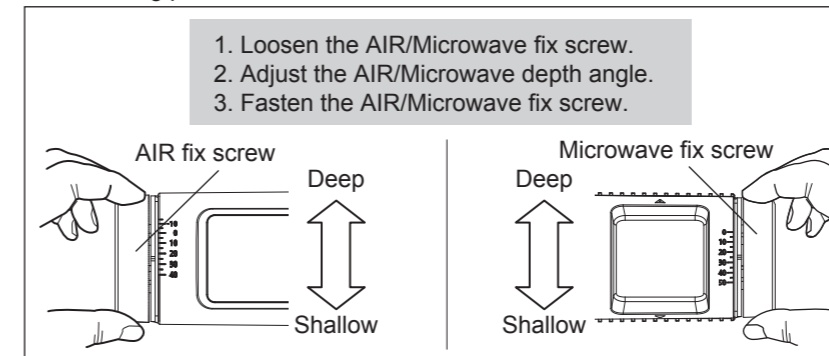


Web manual

Adjustments

1. Depth angle adjustment

The sensor has a scale and the mounting bracket has two notches. (*) When adjusting the depth angle, match the scale to the notch according to the mounting position.



When adjusting the 1st row close the door and set the installation mode to "ON" via the app. After adjusting, set to "OFF." The AIR depth angle and Microwave depth angle are adjusted independently.

NOTE Make sure that the detection area does not overlap with the door and that there is no highly reflective object near the detection area, otherwise ghosting/signal saturation may occur.

2. Settings

Use a smartphone/tablet computer to change the settings of OAM-EXPLORER US. * The app is free of charge, but communication fees are chargeable for the download.

Before using the app

- Please ensure that you fully understand the following before using the app.
- For use of this app, read the license and privacy policy stated in the app.
 - This app uses the location information of the smartphone/tablet computer and the Bluetooth function. Enable each function to use the app.

Log in to the sensor

The default password is 0000.

The user setting screen is displayed when the app is launched for the first time. Entering the information is optional. Once the setting has been completed, a device list screen will be displayed. The user information can be edited at any time.

NOTE To easily obtain and enter the address, enable the location information function of the smartphone/tablet computer.

⚠ CAUTION Risk of getting caught

Do not operate the sensor using the default password. If you do, unspecified users may change the settings and the safety of the sensor may not be secured.

* Two notches

